

# PRECISION & QUALITY

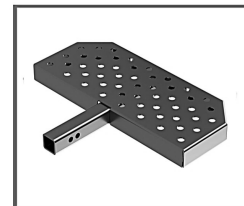
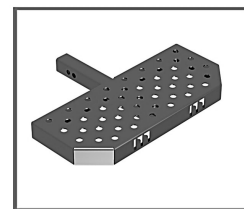
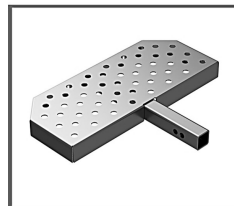
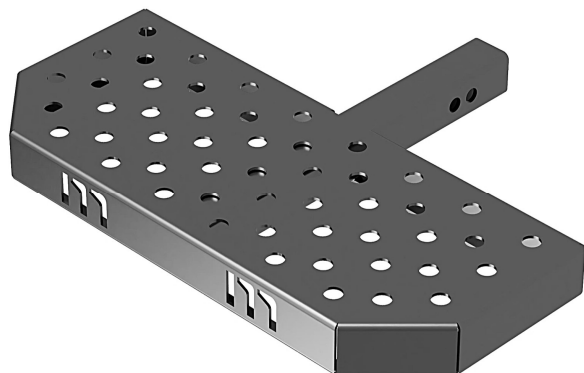
## LEADER IN THE INDUSTRY



**ALUMINUM STEP-BUMPER  
AND MORE** **1-855-835-2422**  
[www.6sserden.com](http://www.6sserden.com)

STEP-BUMPER  
1 STEP

30-22004

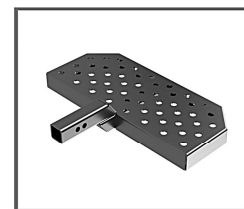
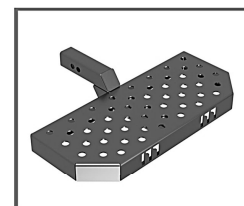
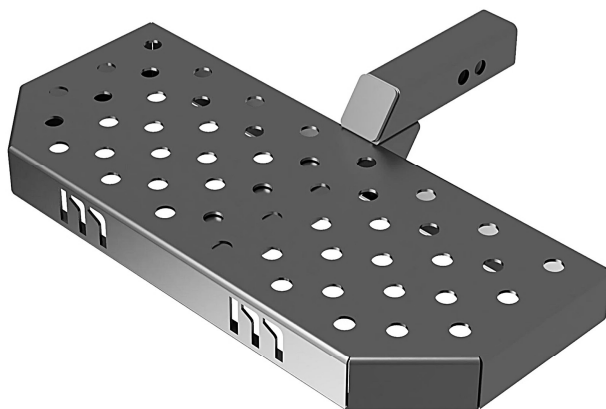


## ALUMINUM STEP-BUMPER 10''x 24''

- Aluminum step-bumper
- Length 24''
- Width 10''
- Weight: 7 Lbs
- Facilitates access to your box safely

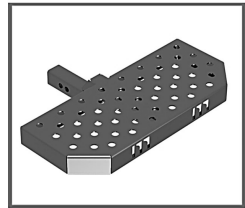
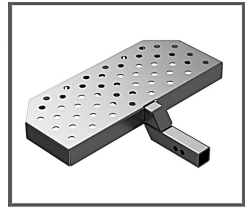
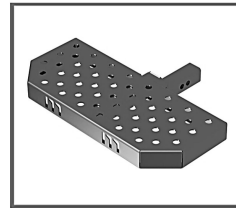
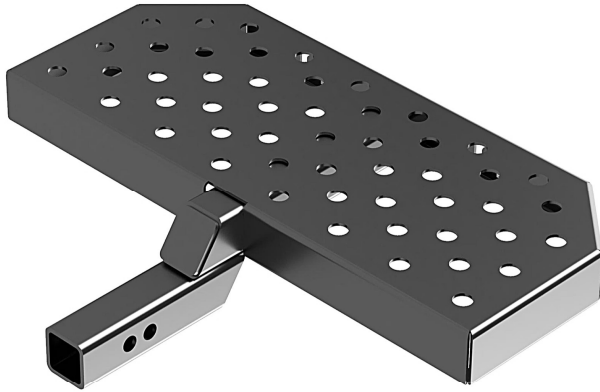
STEP-BUMPER  
1 STEP

30-22005

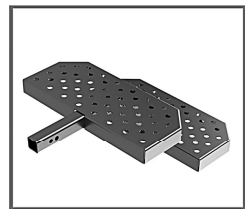
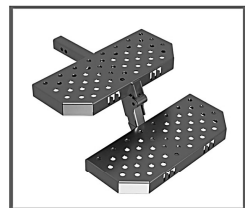
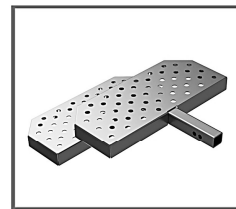
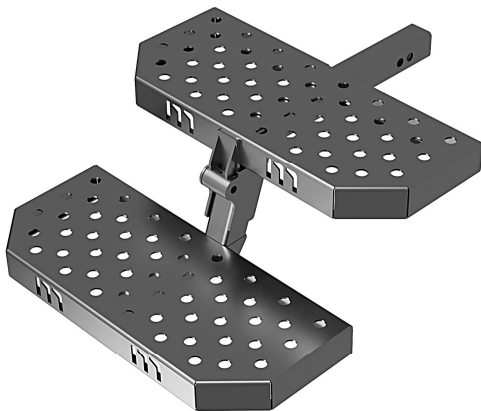


## ALUMINUM STEP-BUMPER 10''x 24'' (-2'')

- Aluminum step-bumper
- Length: 24''
- Width: 10''
- Weight
- (-2'') Below the level of the vehicle coupling

**STEP-BUMPER  
1 STEP****30-22006****ALUMINUM STEP-BUMPER 10" x 24" (+2")**

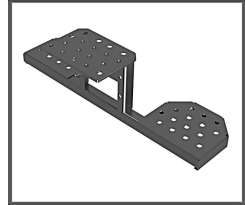
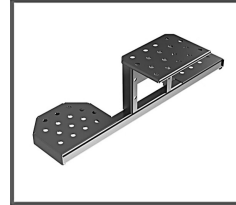
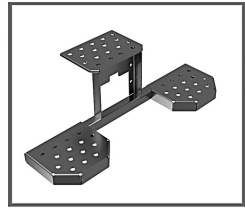
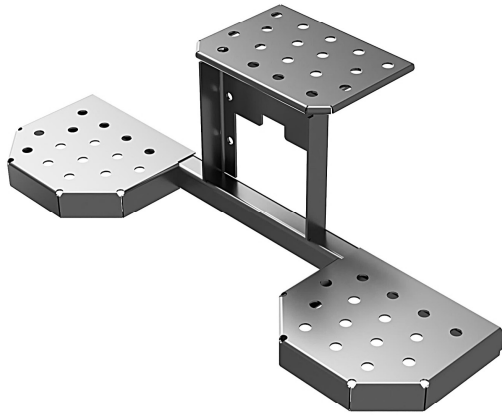
- Aluminum step-bumper
- Length 24"
- Width 10"
- Weight: 7 Lbs
- (+2") Above the level of the vehicle coupling

**PIVOTING STEP-BUMPER  
2 STEPS****30-22035****ALUMINUM PIVOTING STEP-BUMPER 10" x 24"**

- Aluminum pivoting step-bumper
- Weight: 17 Lbs
- 2 Steps: Length of 24" and width of 10"

**STEP-BUMPER  
3 STEPS**

**30-22033**



## **ALUMINUM STEP-BUMPER 3 STEPS**

- Aluminum step-bumper
- Weight: 13 Lbs
- (2 Steps of 12"x 10" and 1 step of 12"x 9")
- Height: 12-1 / 2 ''
- Length: 39 ''
- Width: 18 ''